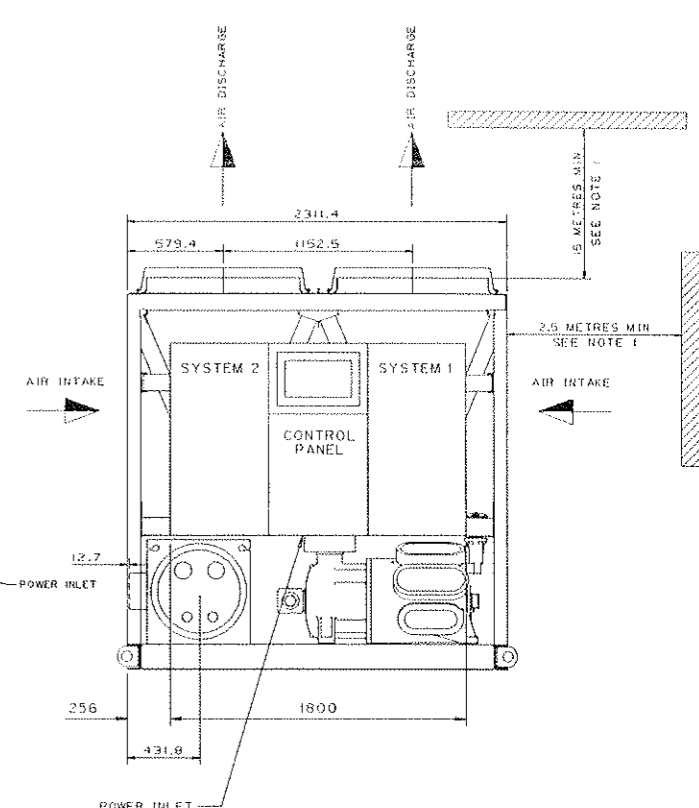
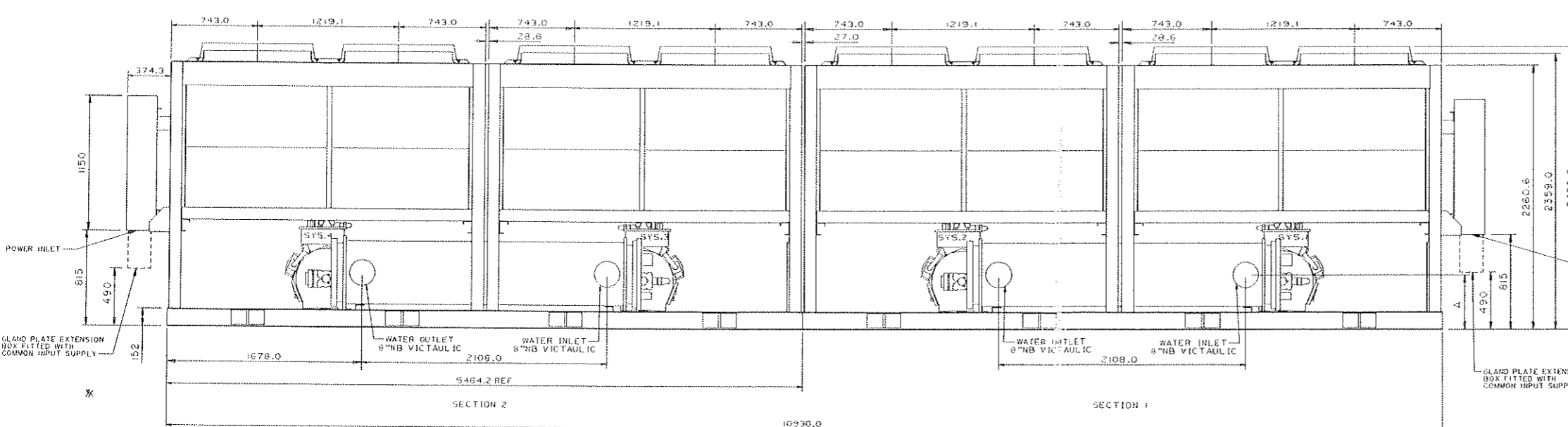
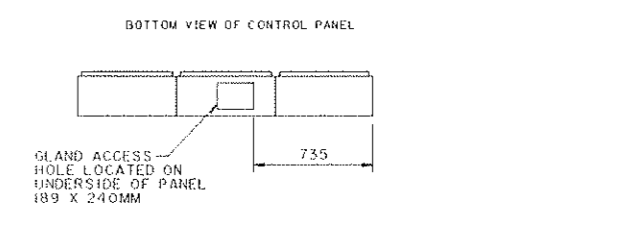
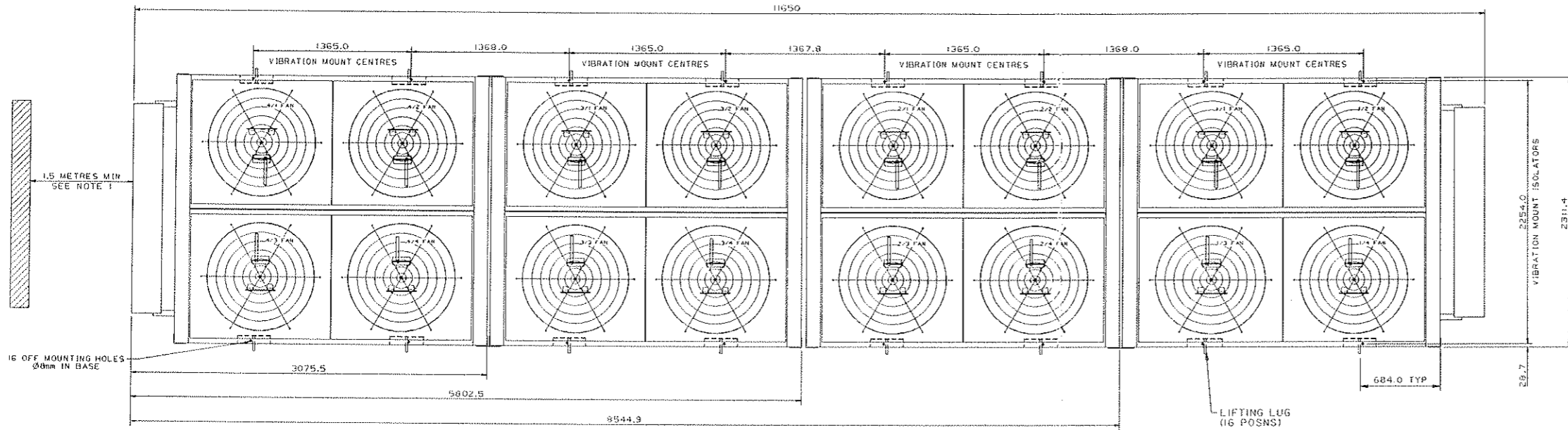


NOTES

- MINIMUM YORK REQUIRED CLEARANCES TO PREVENT CONDENSER AIR RECIRCULATION AND FAULTY OPERATION OF UNIT(S) ARE AS FOLLOWS:-
 SIDE TO WALL 2.5 METRES
 REAR TO WALL 2.5 METRES
 FRONT TO WALL 1.5 METRES
 TOP 15.0 METRES
 DISTANCE BETWEEN ADJACENT UNITS 3.7 METRES.
 NO MORE THAN ONE WALL CAN BE HIGHER THAN THE TOP OF THE UNIT. THE AREA WITHIN THE CLEARANCES SHOWN AND UNDER THE UNIT MUST BE KEPT CLEAR OF ALL OBSTRUCTIONS THAT WOULD IMPEDE FREE AIR FLOW TO THE UNIT. IN INSTALLATIONS WHERE WINTER OPERATION IS INTENDED AND SNOW ACCUMULATIONS ARE EXPECTED, ADDITIONAL UNIT HEIGHT MUST BE PROVIDED TO INSURE FULL AIR FLOW.
- VIBRATION ISOLATORS (NOT SHOWN) WILL INCREASE OVERALL HEIGHT OF UNIT BY APPROX. 178 mm.
- WATER INLET/OUTLET CONNECTION VICTAULIC COUPLING OR ISO FLANGES ACCESSORY.

	UNIT	DIM "A"
R22	YDAJ 875U7	431.8
	YDAJ 97AU7	457.2
	YDAJ 98XU7	469.9
R407C	YDAJ 99XU7	469.9
	YDAJ 99XW9	469.9
R134A	YDAJ 89AW9	457.2
	YDAJ 99AW9	457.2



ISSUE	E.C.NO	REVISION	DATE	ISSUE	E.C.NO	REVISION	DATE	ISSUE	E.C.NO	REVISION	DATE	ISSUE	E.C.NO	REVISION	DATE
A	MP/179	PHASE 20 RELEASE	RM	28.01.97											
B	2590-3040	COMMON INPUT SUPPLY BOXES & DIMENSIONS ADDED	EB	5.6.97											
C	2597-3041	LIFTING LUGS ADDED	EB	3.7.97											
D	EC 1809	DIMENSION CHANGED	H5B	21/07/97											
E	0106 1879	R407C, L13, L14 & ABB ADDITIONS	AEM	15/5/99											

TITLE
 PRODUCT DRAWING
 YDAJ 87-99 (R22) B (R407C)
 89 B 99 (R134A)

MATERIAL
 SPEC.
 C.A.D. DRAWING NUMBER
 SHEET 1 OF 1
A0

CHKD
 APPR

York
 LANGENBACH SOUTH
 4501/4502/4503/4504/4505
 1514 SW